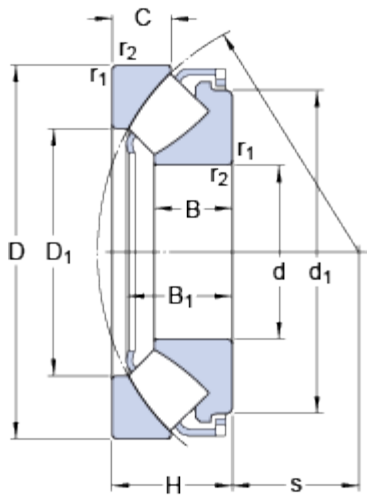


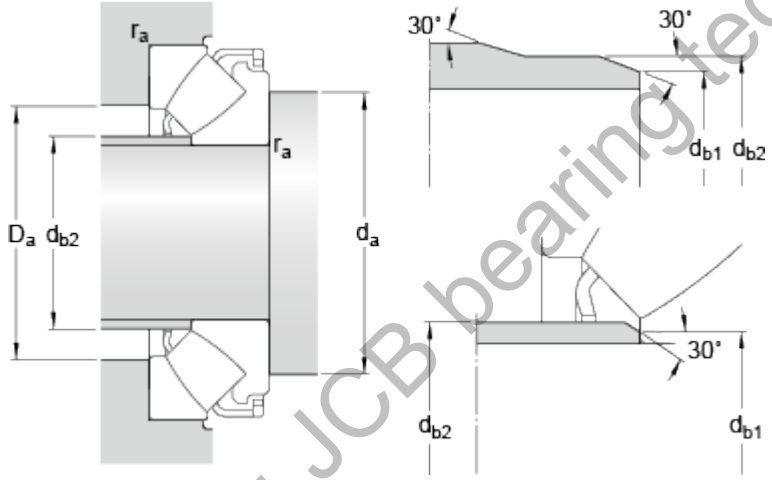
29348

Dimensions



d	240	mm
D	380	mm
H	85	mm
d ₁	≈ 345	mm
D ₁	≈ 296	mm
B	54	mm
B ₁	77.8	mm
C	40.5	mm
s	135	mm
r _{1,2}	min. 4	mm

Abutment dimensions



d _a	min. 305	mm
d _{b1}	max. 249	mm
d _{b2}	max. 259	mm
D _a	max. 336	mm
r _a	max. 3	mm

Calculation data

Basic dynamic load rating	C	2040	kN
Basic static load rating	C ₀	6550	kN
Fatigue load limit	P _u	630	kN
Reference speed		1000	r/min
Limiting speed		1600	r/min
Minimum axial load factor	A	4.1	

Mass

Mass bearing	35.5	kg
--------------	------	----